

The background of the slide is a white marble with intricate, flowing veins of light grey and gold. In the bottom-left corner, the numbers '02' are displayed in a large, bold, red sans-serif font.

02

**Carrying &
Storage
Criteria**

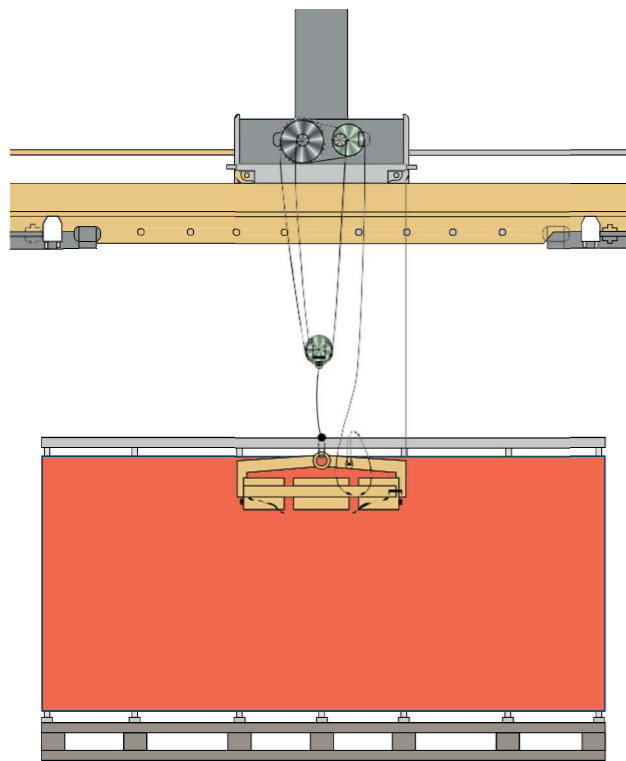
Carrying and Storage

Slab12mm	
She	162x523
Weight (kg/m*)	152,24 kg

Carrying with Slab Lifter

Porcelain slab should be carefully lifted and lowered to avoid deformation.

You may use a gripper below.



Single Lifting Equipment

The slabs should be lifted one by one. While lifting the polished surface slabs, you should remove any plastic or nylon protective coatings on the slabs's surface.

Storage

The places to which porcelain slabs will be put in the support stand used to prevent possible damage to the products should be wood or rubber.

There should be sufficient support points behind the stands based on the lengths of the slabs. Since the slabs are long, the number of support points should be no less than three. There should be at least four support points behind the 325cm slabs.

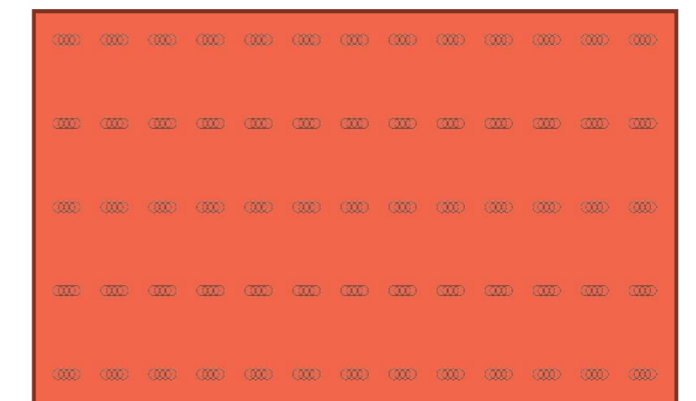
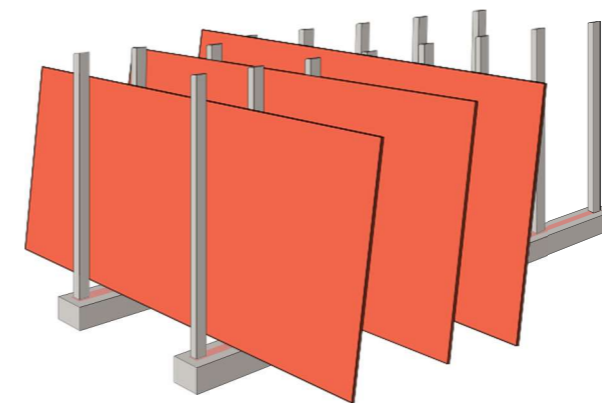
Another rule to be considered is that the slabs should be lined up from small to large on the stand and the large ones should never be placed in front of the small ones.

Support stands should not be smaller than the slabs. If the slab wells out of the stand, cracks and breaks may occur due to the impacts.

After the slabs are lined up on the support stand, they should be fixed to it with the help of a safety rope or another system used for the same purpose.

Slabs positioned vertically on the scaffold stand may lean slightly. It doesn't indicate that the product has defects and this state has no negative impact on functionality. When the slab is placed on a horizontal surface, this lean disappears.

In any storage method, it is strongly advised not to stack polished surface slabs on top of one another. If there is a necessity to follow the stack method mentioned above, it is recommended to separate the slabs using appropriate spacers.

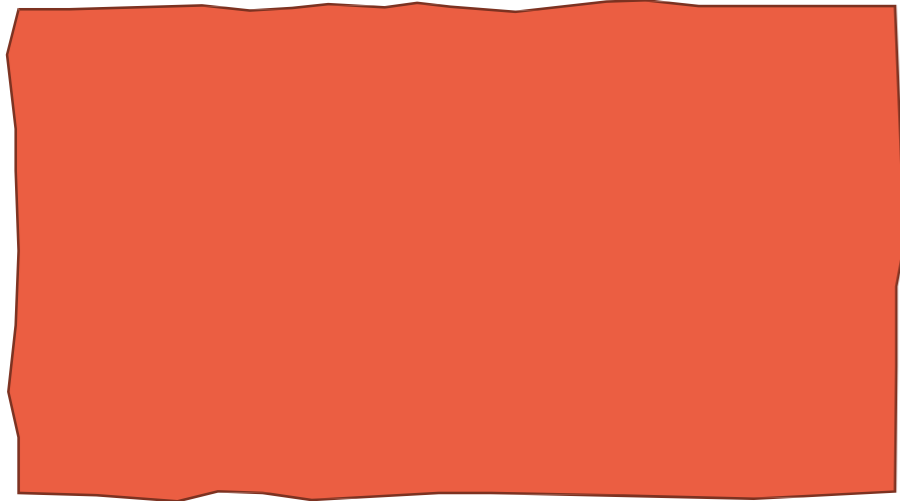


Beeswax Slab Dividers

While stacking polished and finished products, spacers such as polystyrene sheets or wooden strips should be placed between the slabs to protect the wax on the products and prevent contact between the slabs.

Quality control 12mm Porcelain Countertop

porcelain slabs are created with superior production technology. If there are any defects in the slabs, they should be reported before production. Objections, which will be made **after the product is processed and the countertop is installed, will not be accepted.**



Size

The term unrectified is used for products with 162x525 sizes. The manufacturer can obtain a piece of 160x520 sizes from each slab.





Montecera USA

Office Number 850-945-8220

Florida Office: 308 Williams Ave Port St Joe, FL 32456

Georgia Office & Warehouse: 1625 Bethel Rd Bainbridge GA 39819

www.montecera.com